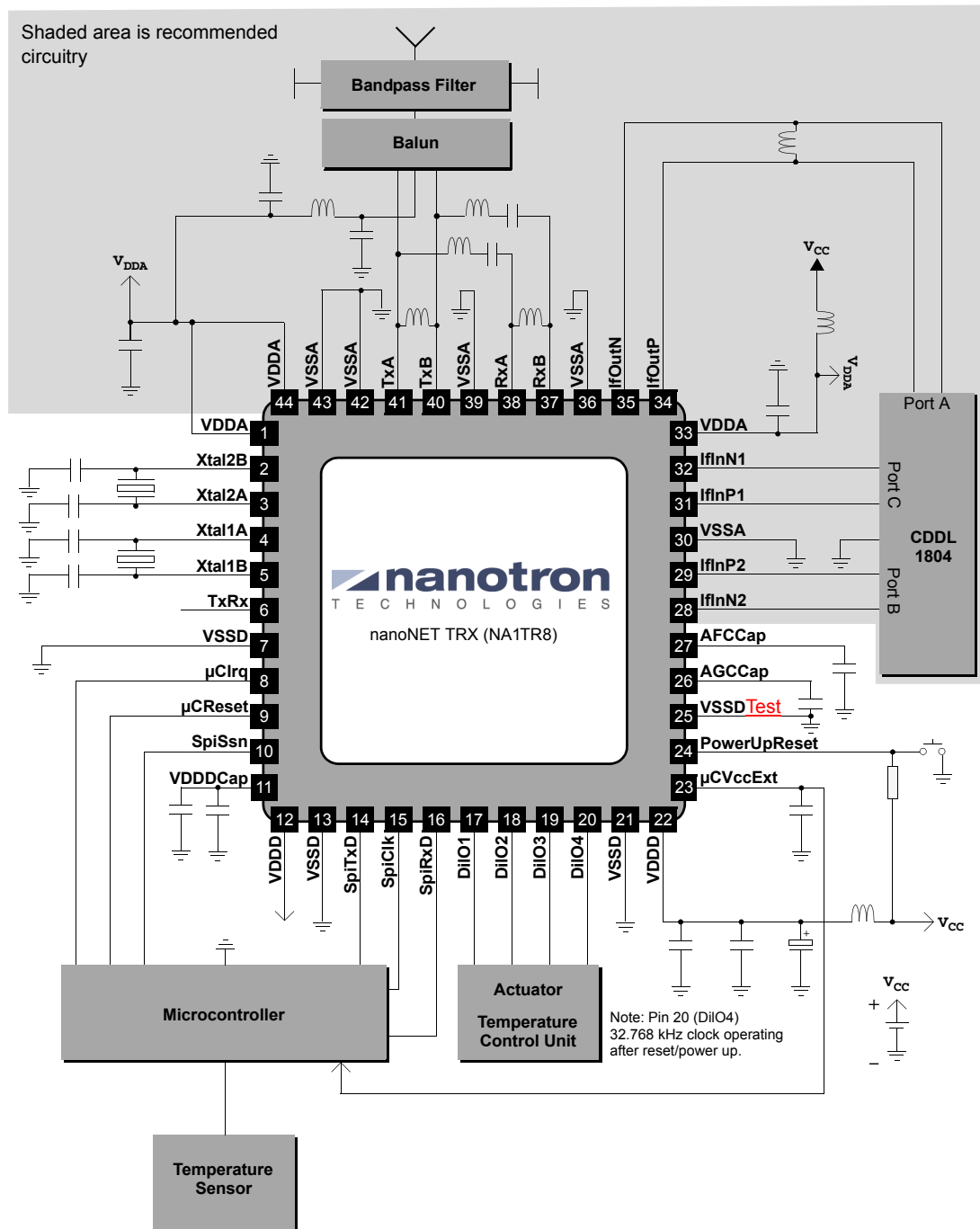


## Sample Application Showing Recommended Circuitry

The following application is an example of the *nanoNET TRX Transceiver* used with a temperature measurement and control device.



Example application showing recommended circuitry